

General Experience:

As an independent consultant I purchased my first seat on SolidWorks in 2004 in order to support client needs. I am now running both SW2008 and SW2009 to match my recent client's versions.

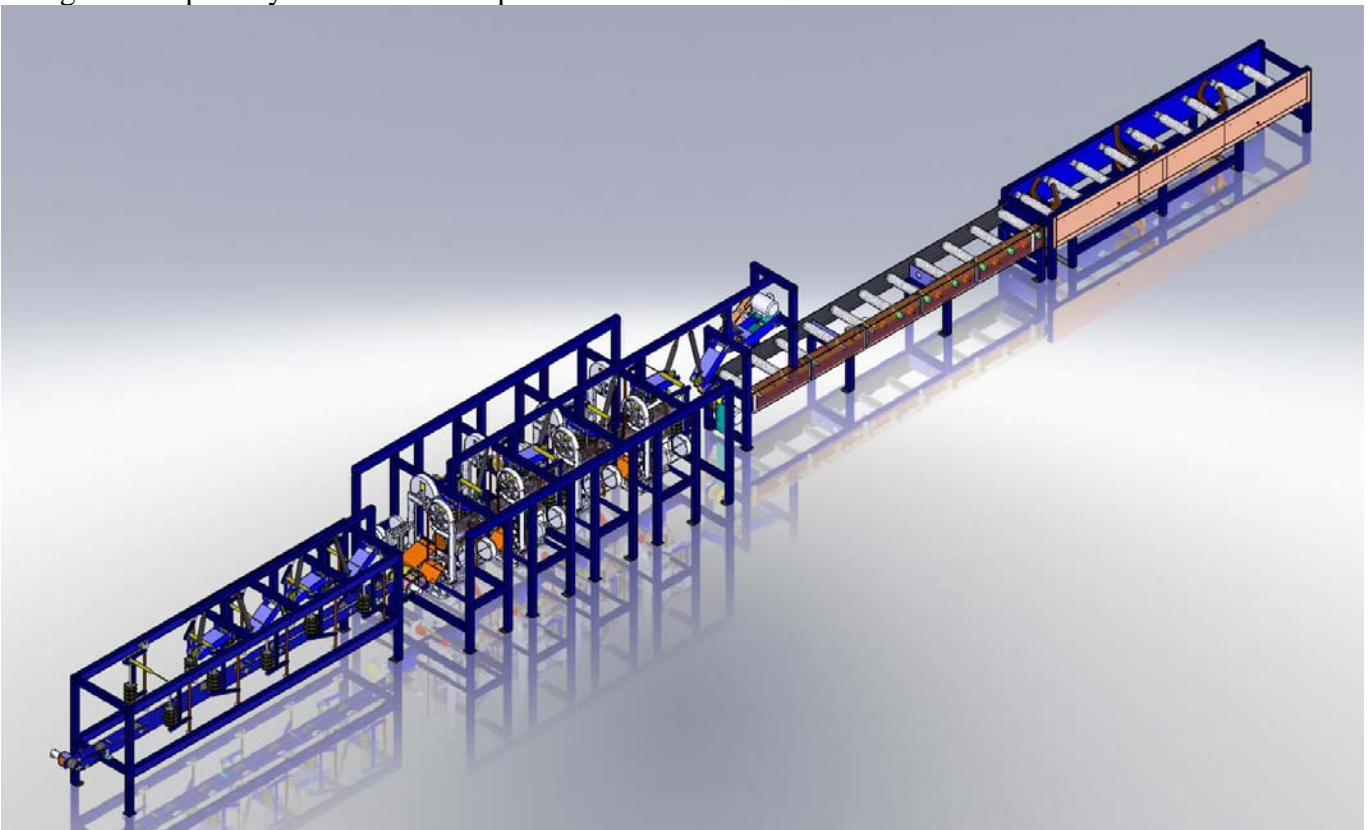
The bulk of my experience has been with solid modeling, assemblies (large and small), configurations, part stress analysis, motion studies, sheet metal and corresponding detail drawings and BoMs.

Example below included designs from concept, program management, product validation to production release.

Some Project Examples:

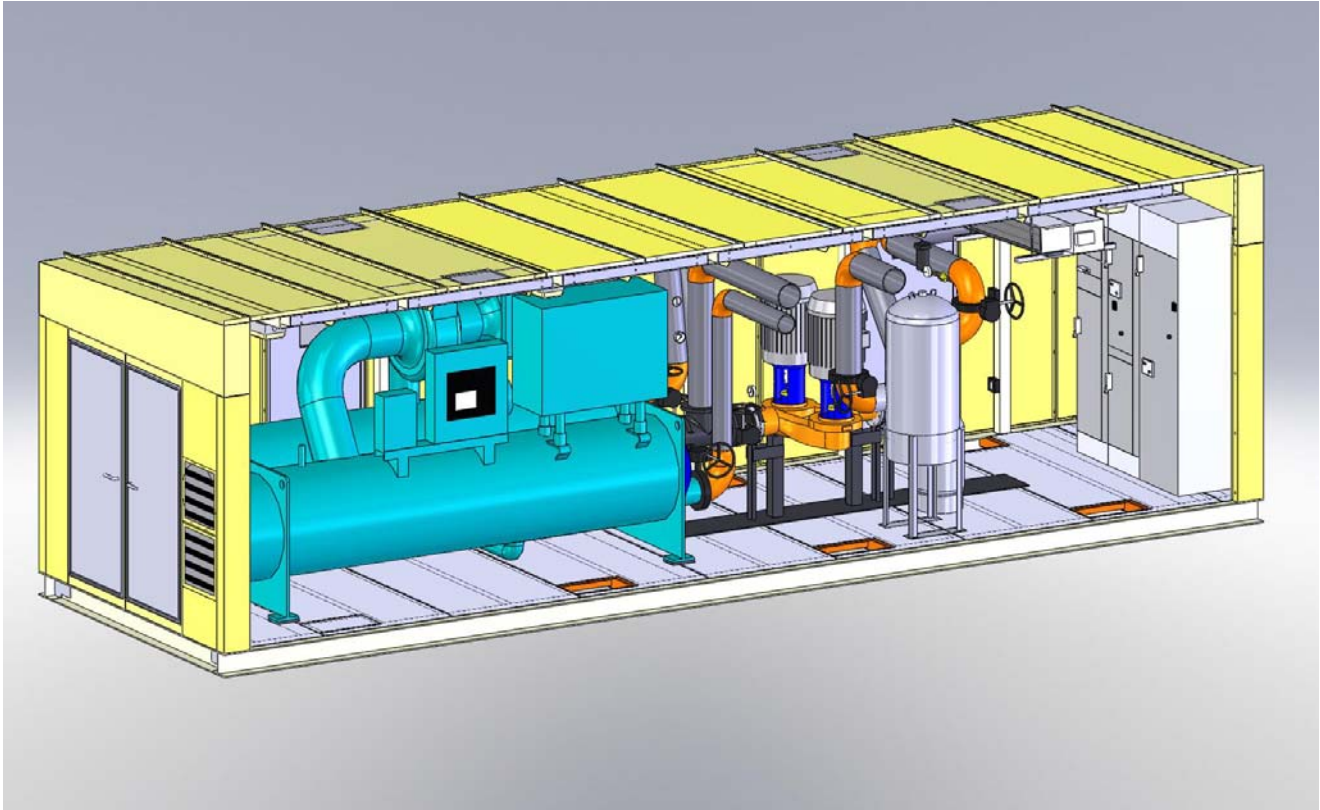
1. Koetter Woodworking: In-line high capacity log sawmill.

Designed complete system from concept.



2. York International: Refrigeration units.

Reverse component engineering to create BoMs and Manuals



ITEM NO.	VENDOR No	YORK No	DESCRIPTION	QTY.
1	1F 2401105 80P	939-24081-001	Tank, Freon Recovery LP 24" x 61"	1
2	44605K251	939-000-141	Bushing, 3/4" x 1/2" NPT	1
3	70303-003	939-040	Cable, Fluid Level-6'	1
4	155918	939-00000-112	Float Level Switch 7 1/2"	1
5	810NFEA	939-008	Valve, Relief 1 1/2"	2
6	3155W-F	939-3155W-100	Valve, 3 way 1"	1
7	413753	939-GLASS-001	Sight Glass, BP 52	2
8	44605K242	939-000-142	Bushing, 3/8" x 1/4" NPT	1
9	A31484		Valve, Schroder 1/4" NPT	2
10			Pipe Elbow, 3/4" NPT M/F	1
11			Close Nipple, 3/4" NPT	1
12		W-1163	Pipe Adaptor, Straight 1" Sweat	1
13			Plug 3/4" NPT	1
15	6XC-37		Conduit Hanger, 1/2"	2
16	025 14385 000	025 14385 000	Low Pressure Cut-Out	2
17	RC-4864	939-RC-4864-401	Core Filter, Catch-All	1
18	G7011	939-4climp-001	Clamp, 4" Cond/BWT	1
19	H 1-1/2	954-048	Condenser Coil	1
20	C-485	939-OC-485-000	Catch-All Filter, 1-Core	1
21			Unifrut Framing	1
22	S-5885A	939-580IL-000	Oil Separator 6x4	1
23		N5-4	FLARE SEAL CAP, 1/4"	1
24	CRR-1A 10.6	939-CRR1A-001	Welch Vacuum Pump w/1HP Motor	1
25			ADAPTOR, MALE, .750 NPT - SERVICE VALVE	2
26	31071	939-013	Valve, compressor service	2
27	E4-44	939-OE444-001	Elbow, 1/4" NPT M/F	1
28	U4-4	939-00U44-002	Adaptor 1/4" NPT	2
29	49081	939-49081-002	Pressure Gauge, Red	1
30	49082	939-49082-000	Pressure Gauge, Blue	2
31		939-134RT-000	Bushing, 1" x 3/4" NPT	2
32	9101 120v	939-991012000	Heater, Oil Separator	1
33	232	939-000-499	Box, 4'x4"	2
33	752	939-20706-001	Cover, 4'x4"	2
34	1xC06	954-000-042	Switch, SCL Pole	1
35		954-000-042	Switch w/Pilot	1
36	12-3 SOOW	939-00012-350	SOOW Cord 12/3, Per Ft	10
36	4A255	939-4A255-039	Plug SW, 3 pin	1
36	5D735	939-5D735-001	Connector, Strain Relief	1
37	43608	939-43608-000	Hose, hydraulic 1/2" Male	2
37		xxxx	Valve, Ball 1/4"	9
37	U1-8D	954-U18D0-000	1/2"SAEx1/2"NPT	4
37	US4-8	939-US480-001	Swivel 1/2"	4
38		954-057	Castor 5, w/brake	2
38		954-058	Castor 5, no brake	2
39	119x42	939-119x4-201	Pallet, Standard	1

REVISIONS				
ZONE	REV.	DESCRIPTION	DATE	APPROVED
	A	Initial Release	12/30/05	

TITLE: Refrigerant Storage Recycling 1100 LP

DATE: 12/27/2005

York International

SIZE: B RSR 1100V

SCALE: 1:15 WEIGHT: SHEET 1 OF 2

REV: A

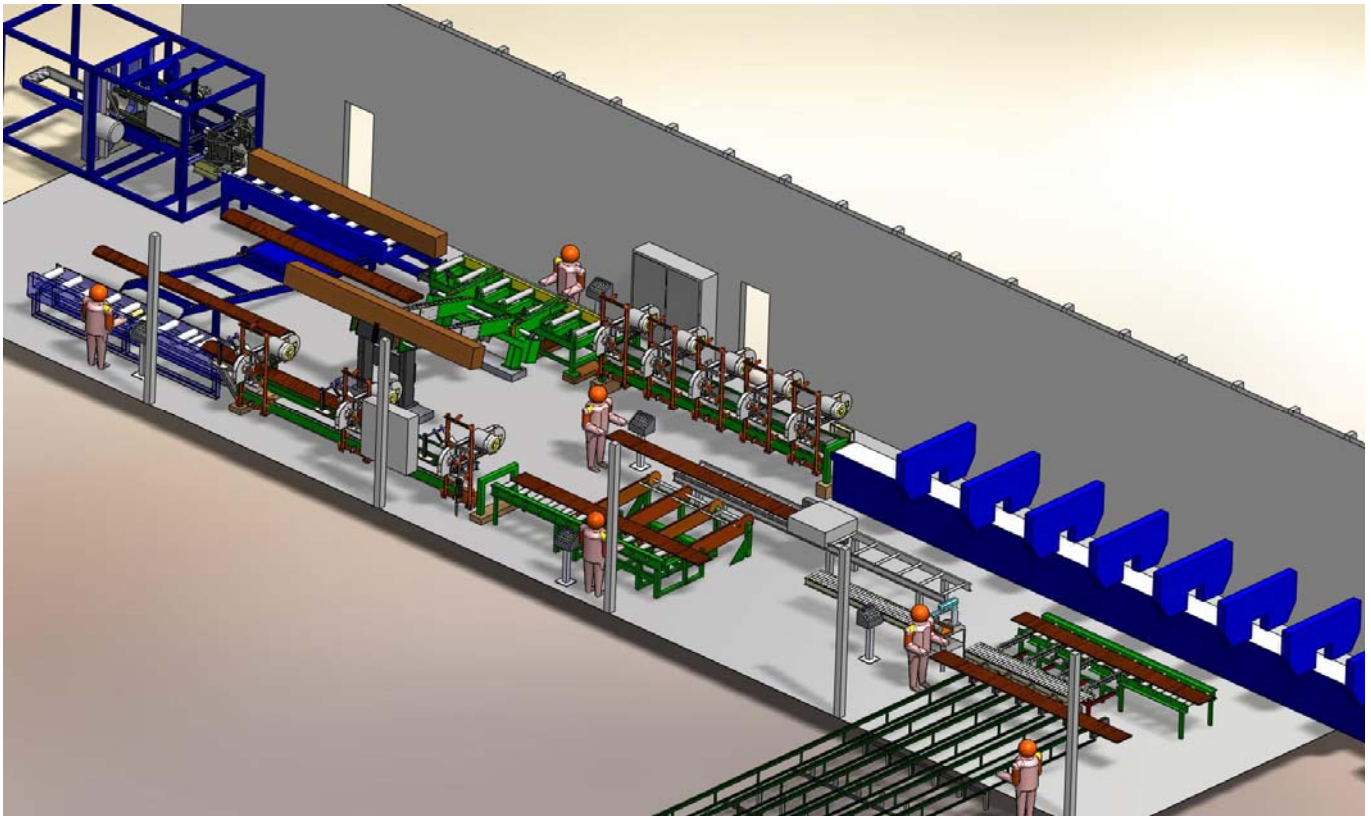
3. Light Engineering: High efficiency hybrid system integration.

Design package an in production



4. TGJElI: Restructuring an existing log sawmill with rebuilt machinery.

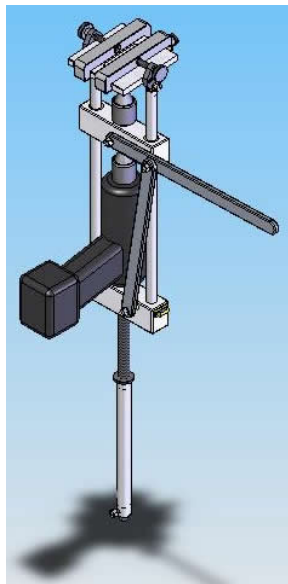
Design and installation complete- Currently in production.



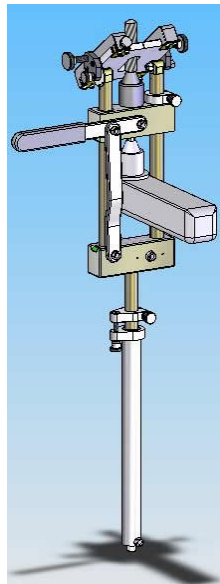
5. Coffman: Stair Rail Baulister Fixturing Tool

Design and prototyped.

Mark I



Mark II



6. Advanced Surgical Instruments Corp: Surgical retractors.

Designed from concept, and prototyped.

